



**HEAVY DUTY SELF PRIMING
SOLIDS HANDLING TRASH PUMP**



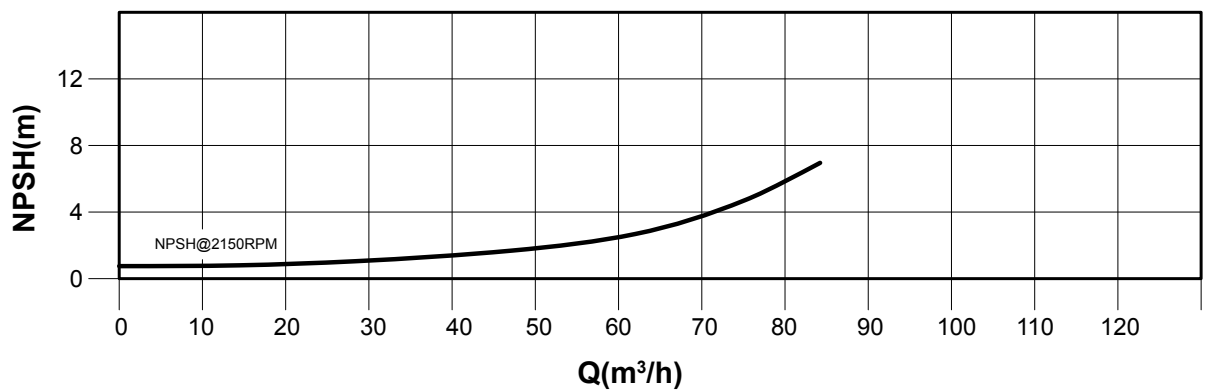
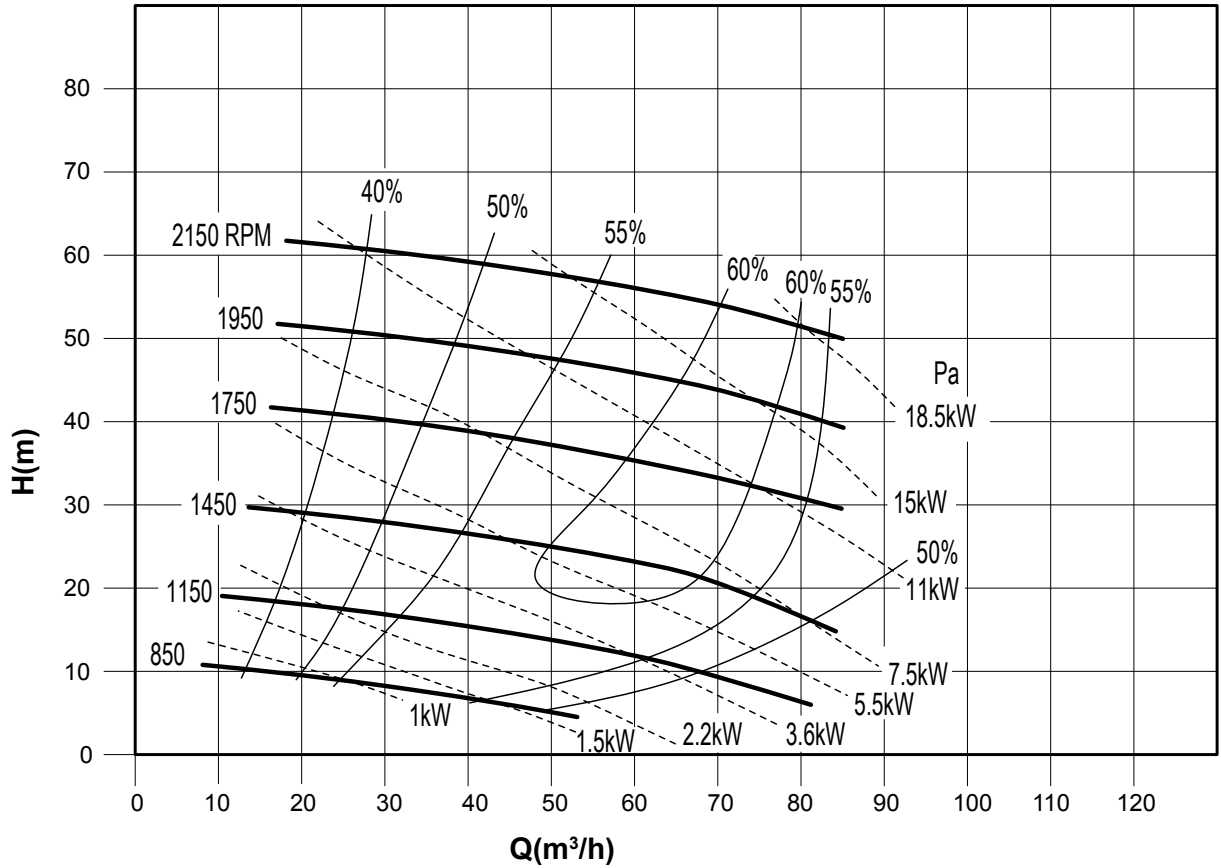
SU SERIES



“ST/SU” Series
Self Priming Solids
Handling Trash Pumps

**MODEL
SU3**

PERFORMANCE DATA



Net Weight	214kg
Impeller Dia.	279.4mm
Max. Solids	20.63mm

Speed (RPM)	Max Self Priming (m)
850	2.3
1150	2.9
1450	4.5
1750	7.6
1950	7.6
2150	7.6

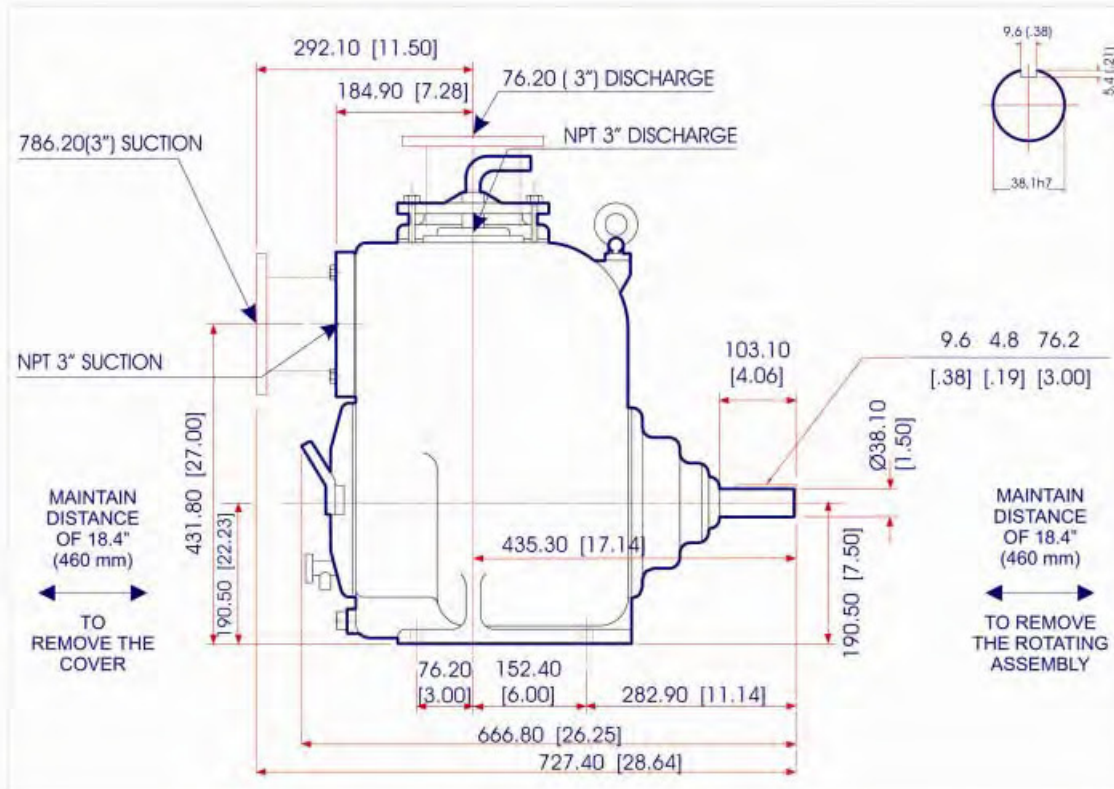
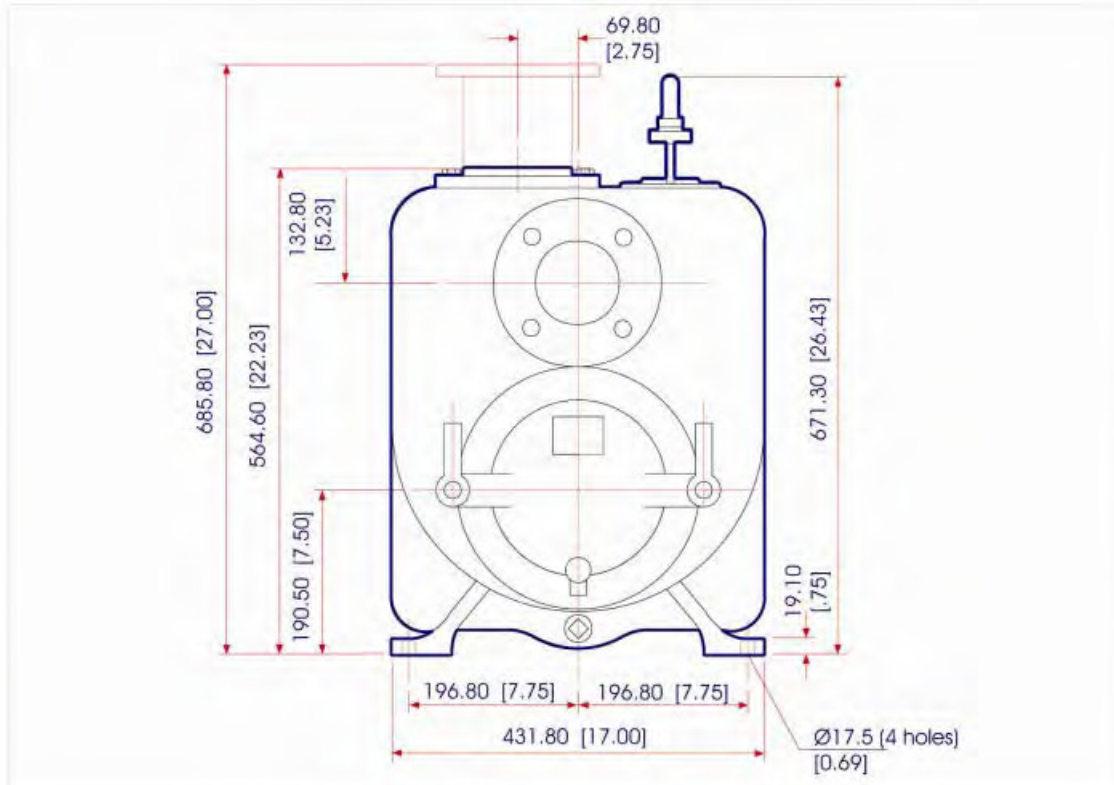
MODEL
SU3

"SU" Series

Self Priming Solids
Handling Trash Pumps



TECHNICAL DATA

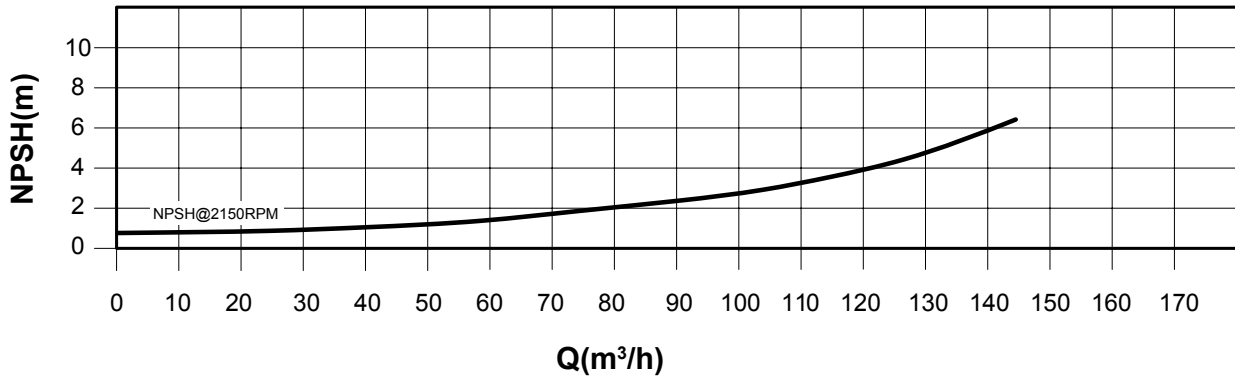
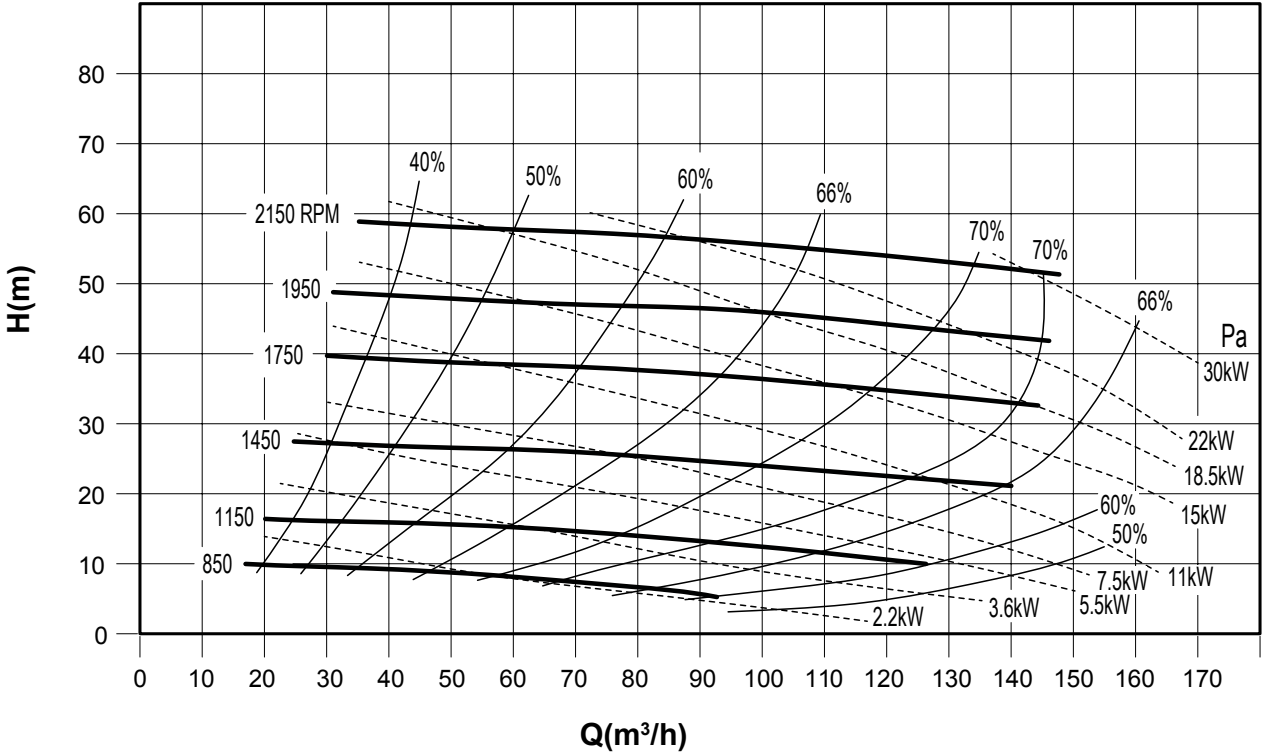




“SU” Series
Self Priming Solids
Handling Trash Pumps

MODEL
SU4

PERFORMANCE DATA



Net Weight	272kg
Impeller Dia.	279.4mm
Max. Solids	28.57mm

Speed (RPM)	Max Self Priming (m)
850	2.4
1150	3.0
1450	3.6
1750	3.6
1950	4.5
2150	5.2

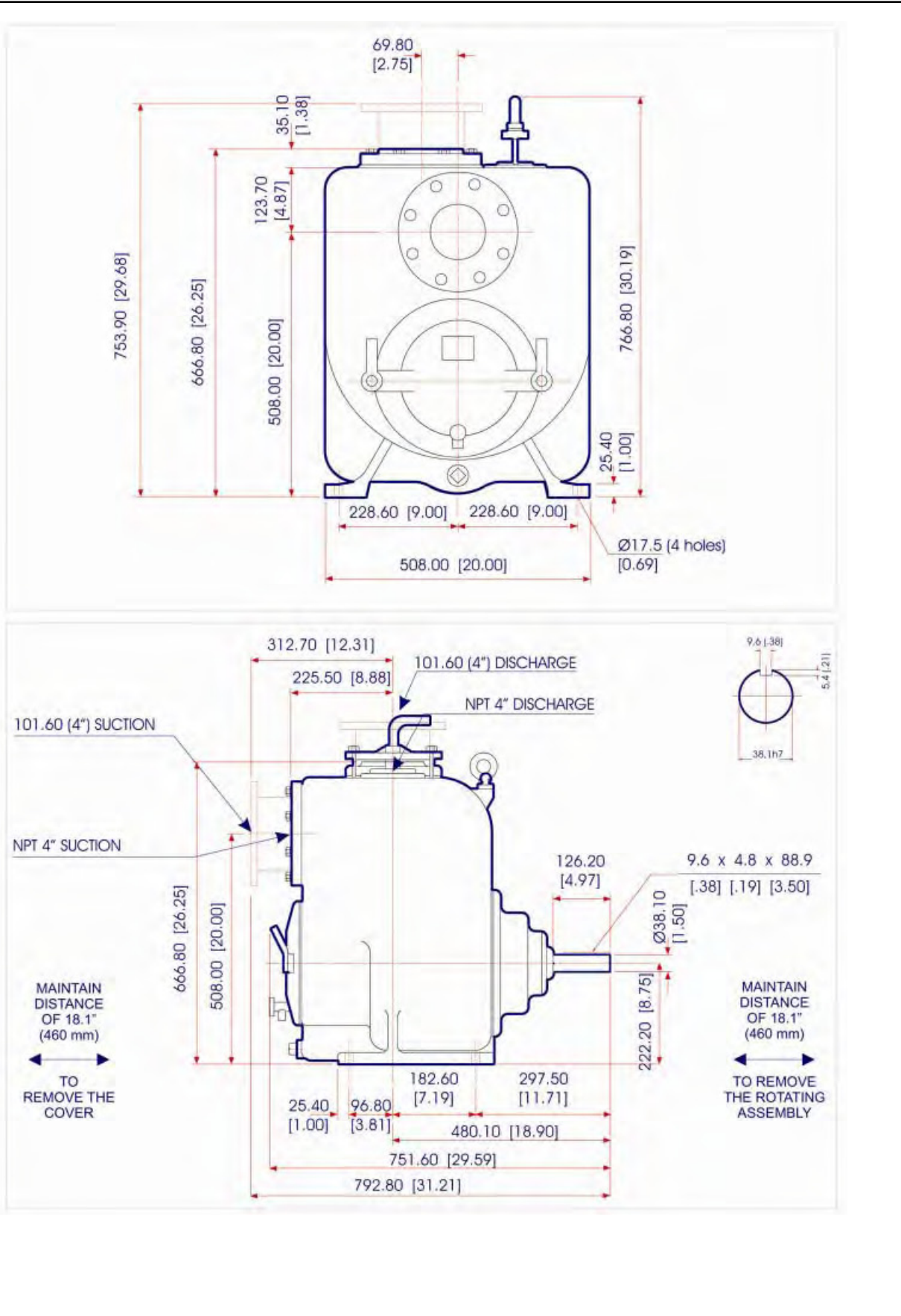
MODEL
SU4

"SU" Series

Self Priming Solids
Handling Trash Pumps



TECHNICAL DATA

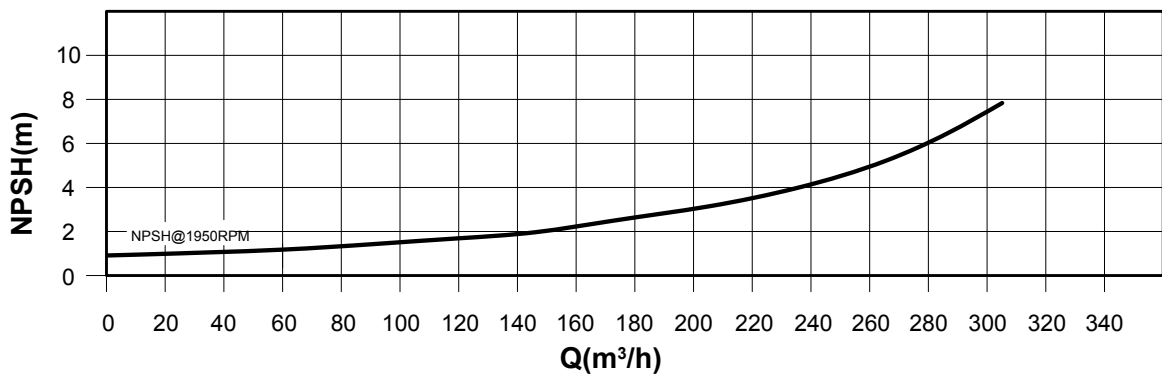
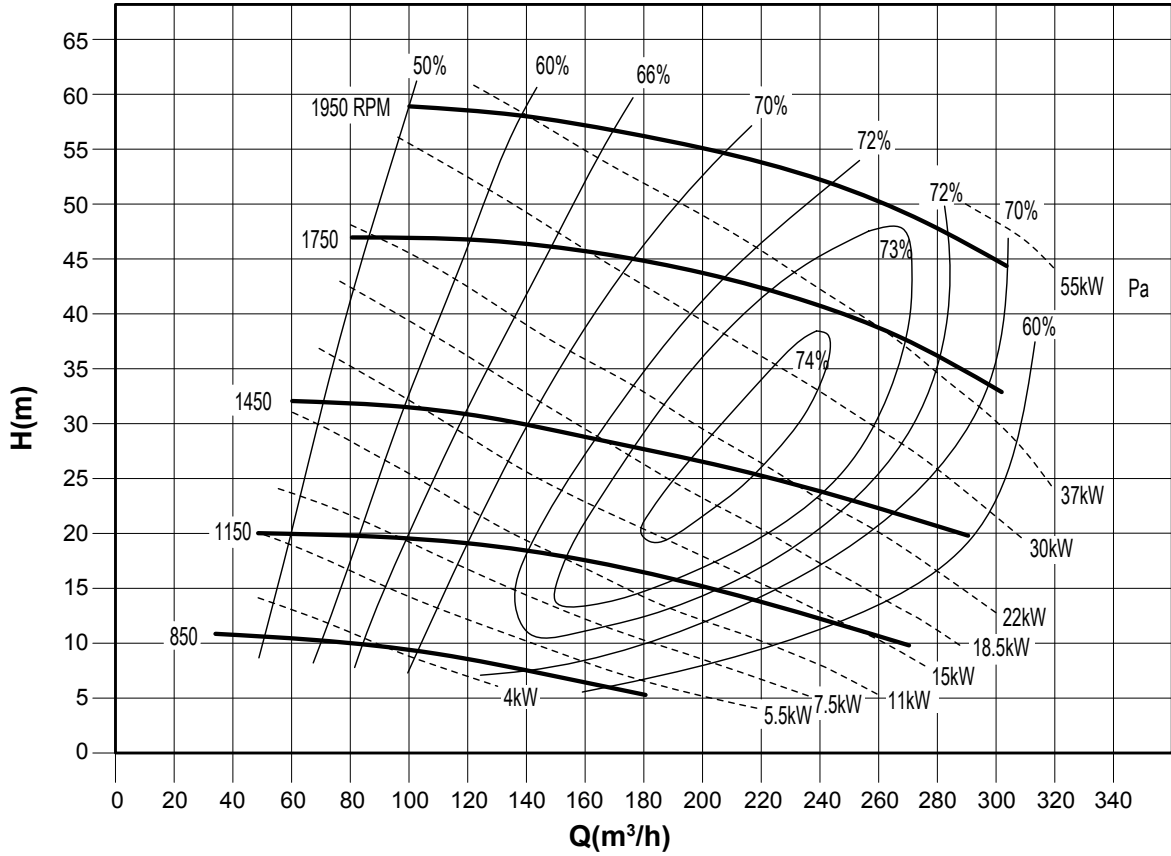




“SU” Series
Self Priming Solids
Handling Trash Pumps

**MODEL
SU6**

PERFORMANCE DATA



Net Weight	413kg
Impeller Dia.	317.5mm
Max. Solids	31.75mm

Speed (RPM)	Max Self Priming (m)
850	2.4
1150	3.0
1450	4.2
1750	4.5
1950	4.5

MODEL
SU6

"SU" Series

Self Priming Solids
Handling Trash Pumps



TECHNICAL DATA

